

# VMP046

LARGE CCTV CEILING MONITOR MOUNT

## PRODUCT FEATURES

### SECURITY MONITOR MOUNTS

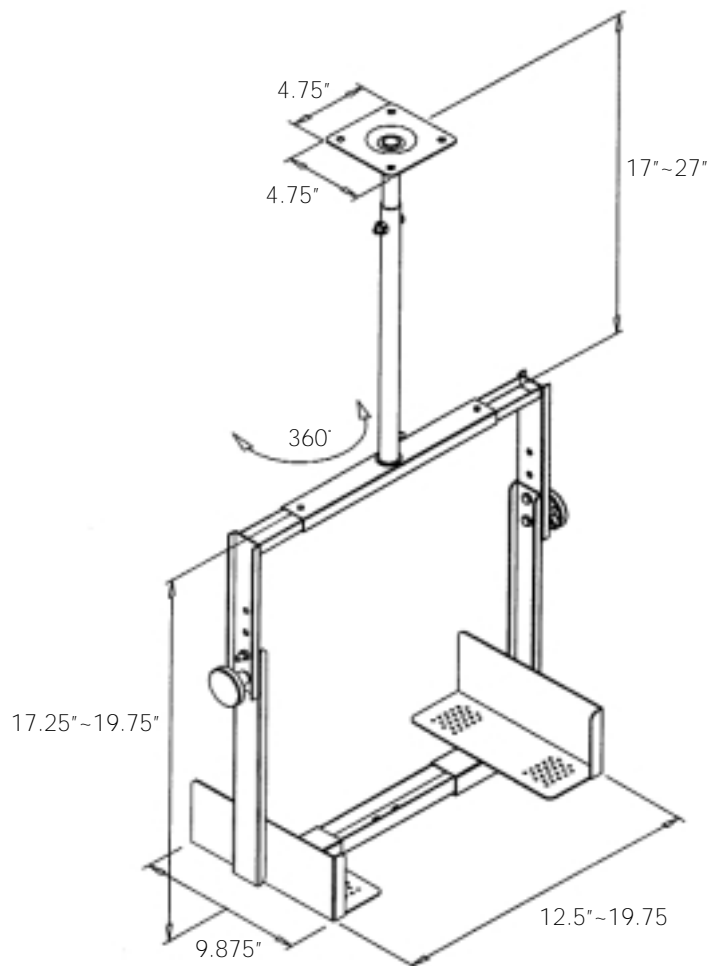
rotates 360° and has adjustable 0–30° tilt  
mast extends 17"–27" from ceiling  
opens from 12.5"–19.75" (left to right)  
opens from 17.25"–19.75" (top to bottom)  
holds most 13"–20" monitors  
load capacity 75 lbs.  
black finish

## PRODUCT SPECIFICATIONS

### FOR ARCHITECTS & ENGINEERS

The ceiling mount for the CCTV monitor shall be a Video Mount Products (VMP) model VMP046. The monitor mount shall be constructed primarily of tubular steel and shall incorporate nylon filled nuts, and arc welds.

The monitor mount shall be designed to allow adjustable tilt up to a maximum of 30° and must swivel 360°. The monitor mount shall have adjustable dimensions capable of holding a CCTV monitor with screen sizes from 13" to 19". The mount shall open 12.5" to 19.75" (left to right) and open 17.5" to 19.75" (top to bottom). The mount shall include a telescoping ceiling mast that adjusts from 17" to 27". The load capacity shall be 75lbs.



**VMP** Mounting Systems for  
Video, Audio & Security  
**Video Mount Products**

**Video Mount Products**  
325 Log Canoe Circle  
Stevensville, Maryland 21666  
Phone 410.643.6390 Facsimile 410.643.6615  
Website [www.videomount.com](http://www.videomount.com)

**MOUNTING SYSTEMS FOR AUDIO, VIDEO & SECURITY**