

# SANYO

## 1/3" Color CCD DSP Super High-Resolution Camera

- Super High-Resolution of 520 TV Lines
- High Sensitivity of 0.5 lux
- Multi-spot Photometry & Center Zone BLC
- Built-in Digital Signal Processing (DSP) Circuitry
- Dual Power Operation 12V DC & 24V AC

VCC-6584



Exview™  
CCD  
Technology



(Shown with an Optional Lens)

# VCC-6584

## 1/3" COLOR CCD DSP SUPER HIGH-RESOLUTION CAMERA

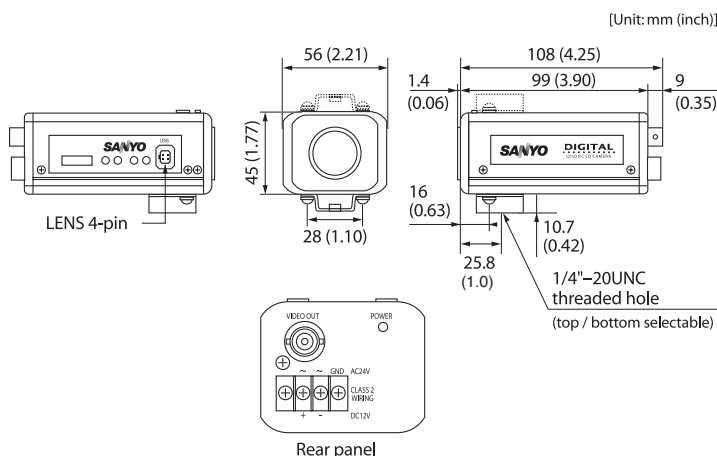
- **Super High-Resolution Technology** with 520 Lines of Horizontal Resolution Accomplished By:
  1. New Optical Low Pass Filter
  2. New Y/C Separation Circuitry
  3. Double Horizontal Sampling
  4. Chroma-Regulated Horizontal Aperture Generation
- **Digital Signal Processing (DSP)** Allows Better Picture Quality
- **Super High-Sensitivity**, Minimum Required Illumination 1.0 Lux @ f1.2, 0.5 Lux @ f1.2 (Gain Hi)
- **Built-In Interline Transfer Method** 1/3" CCD, Approx. 410,000 Picture Elements
- **SuperSmart™ Back Light Compensation**
- **DC Type** Auto Iris Lenses Applicable
- **Internal/External Sync**
- **Electronic Iris Function**
- **External Adjustment** for Mechanical Focus Position
- **CS Type Lens Mount**
- **TTL Auto-White Balance**, Auto-Tracking System
- **24V AC/12V DC** Dual Power Operation
- **Built-In Anti-Ground Loop** Isolation Transformer

## Specifications

VCC-6584	
<b>Scanning System</b>	NTSC Standard: 525 lines, 30 Frames/Sec.
<b>Image Sensor</b>	1/3" (Approx. 4.8mm x 3.6mm) interline transfer method
<b>Effective Picture Elements</b>	768 (H) x 494 (V)
<b>Resolution</b>	Horizontal: 520TV lines, Vertical: 350TV lines
<b>Minimum illumination</b>	0.5 lux (GAIN HI) / 1.0 lux (GAIN NORM) @f1.2
<b>Video output level</b>	1.0 Vp-p @ 75 ohms, composite
<b>Video S/N ratio</b>	More than 50db (AGC off)
<b>Backlight Compensation</b>	ON / OFF – Slide SW (side) ON = Multi-spot photometry system (64-section) / Center-zone photometry system; Slide SW (side) (activated when auto iris lens used)
<b>White Balance</b>	Auto / Manual – Slide SW (side)
<b>Gain Control</b>	Normal / High – Slide SW (side)
<b>Light Control</b>	Auto iris / Electronic iris
<b>Lens Mount</b>	CS Mount
<b>Flange Back</b>	12.5mm ± 0.5mm adjustment
<b>Auto Iris Lens</b>	DC type
<b>Auto Iris Output</b>	DC: Drive coil (+,-), Brake (damp) coil (+,-)
<b>Electronic Iris</b>	ON (EI) / OFF (AI) – Slide SW (side)
<b>Electronic Iris Range</b>	1.0 lux to 50,000 lux (with f1.2 lens)
<b>Synchronizing System</b>	Internal sync / Line lock – Slide SW (side)
<b>V Phase Adjustment</b>	LINE PHASE – VR (rear)
<b>Sockets</b>	Video Signal VIDEO OUT BNC. (Rear) Auto Iris Lens LENS 4-pin (Side) Power Supply 24V AC, GND 3-pin terminal (Rear) 12 to 15V DC 2-pin terminal (Rear)
<b>Environmental Conditions</b>	Operating: Temperature: -10°C to +50°C / +14°F to 122°F Humidity: Within 90% RH Storage: Temperature: -20°C to +70°C / -4°F to 158°F Humidity: Within 70% RH
<b>Power Requirement</b>	24V AC, 60Hz / 12 to 15 V DC
<b>Power Consumption (approx.)</b>	3.6 W
<b>Camera Mount</b>	1/4" – 20 UNC (top / bottom selectable)
<b>Dimensions (W x H x D)</b>	2.21(w) x 1.77(h) x 3.9(d) inches (56 x 45 x 99mm) (excluding protrusions)
<b>Weight</b>	9.88 oz. (280g) (w/o Lens)

Specifications and product design are subject to change without notice.  
©2004 SANYO Security Products

## Dimensions



# SANYO

SANYO Security Products  
21605 Plummer Street  
Chatsworth, CA 91311  
Phone: (888) 893-7403  
Fax: (888) 818-2597  
Technical Support: (888) 66-SANYO  
www.sanyocctv.com